



4-WAY EVACUATION VALVE

P/N OE38130

4-way evacuation valve with connection F 3/4"G

P/N OE38131

4-way evacuation valve with connection F 1"G

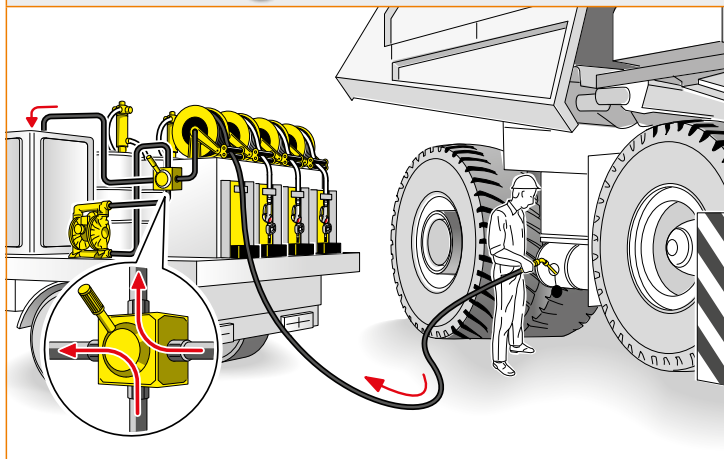
P/N OE38132

4-way evacuation valve with connection F 1.1/2"G

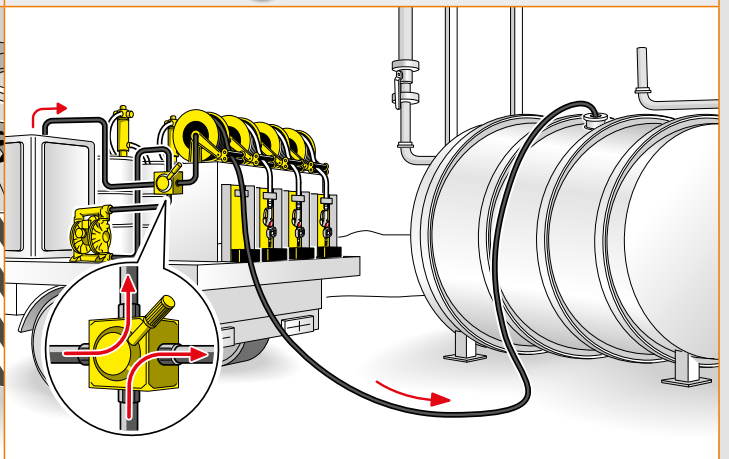
P/N	OE38130	OE38131	OE38132
Seals	Viton®	Viton®	Viton®
Connection	F 3/4"G	F 1"G	F 1.1/2"G
Pressure	bar	14	14
Weight	Kg	3	3

The 4-way evacuation valve is used for extraction (Fig. 1) and discharge (Fig. 2) of waste oil, hydraulic fluid, gear and engine oil, antifreeze

1 EXTRACTION



2 DISCHARGE



P/N OE38210



P/N OE38211

P/N OE38210 *

Ball cock F 1/2"G x F 1/2"G total passage for system ► max pressure 70 bar

P/N OE38211 *

Ball cock F 1"G x F 1"G total passage for system ► max pressure 70 bar

* Articles not manufactured by ECODORA

CONNECTION HOSES



P/N 932/1	Hose M 1/4" x F 1/4"	► ø 1/4"	► 1m	► 20 bar
P/N 932/2	Hose M 1/4" x F 1/4"	► ø 1/4"	► 2m	► 20 bar
P/N 963/06	Hose M 1/2" x F 1/2"	► ø 1/2"	► 0,6m	► 150 bar
P/N 963/1	Hose M 1/2" x F 1/2"	► ø 1/2"	► 1m	► 150 bar
P/N 963/2	Hose F 1/2" x F 1/2"	► ø 1/2"	► 2m	► 150 bar
P/N 963/4	Hose M 1/2" x F 1/2"	► ø 1/2"	► 4m	► 150 bar
P/N 963/11	Hose M 1/2" x F 1/2"	► ø 1/2"	► 10m	► 150 bar
P/N 963/15	Hose M 1/2" x F 1/2"	► ø 1/2"	► 15m	► 150 bar
P/N 963/20	Hose M 1/2" x F 1/2"	► ø 1/2"	► 20m	► 150 bar
P/N 963/25	Hose M 1/2" x F 1/2"	► ø 1/2"	► 25m	► 150 bar
P/N 973/306	Hose M 3/4" x F 3/4"	► ø 3/4"	► 0,6m	► 100 bar
P/N 973/305	Hose M 3/4" x F 3/4"	► ø 3/4"	► 5m	► 100 bar
P/N 973/308	Hose M 3/4" x F 3/4"	► ø 3/4"	► 8m	► 100 bar
P/N 973/312	Hose M 3/4" x F 3/4"	► ø 3/4"	► 12m	► 100 bar
P/N 983/301	Hose M 1" x F 1"	► ø 1"	► 1m	► 50 bar
P/N 983/302	Hose M 1" x F 1"	► ø 1"	► 2m	► 50 bar
P/N 993/310	Hose M 3/4" x F 1/2"	► ø 5/8"	► 10m	► 100 bar